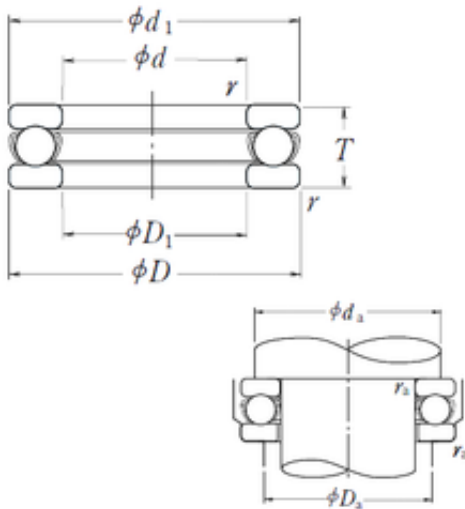




MianKang Bearing Co., Ltd.



nsk 51100 bearing

Bearing No. 51100

| | |
|-------------------------------|---------------------|
| Size | 10x24x9 mm |
| Bore Diameter | 10 mm |
| Outer Diameter | 24 mm |
| Width | 9 mm |
| d | 10 mm |
| D | 24 mm |
| T | 9 mm |
| d1 | 24 mm |
| r min. | 0,3 mm |
| D1 | 11 mm |
| da min. | 18 mm |
| Da max. | 16 mm |
| ra max. | 0,3 mm |
| Weight | 0,019 Kg |
| Basic dynamic load rating (C) | 10,1 kN |
| Basic static load rating (C0) | 14 kN |
| (Grease) Lubrication Speed | 6700 r/min |
| Category | Thrust Ball Bearing |
| Inventory | 0.0 |
| Manufacturer Name | NSK |
| Minimum Buy Quantity | N/A |
| Weight / Kilogram | 0.02 |
| EAN | 0029176026355 |
| Product Group | B00308 |
| Rolling Element | Ball Bearing |
| Thrust Bearing | Yes |

51100 Bearing 2D drawings and 3D CAD models



MianKang Bearing Co., Ltd.

| | |
|-------------------------------------|--|
| Single or Double Direction | Single Direction |
| Banded | No |
| Cage Material | Steel |
| Precision Class | Non-Precision |
| Component Description | Roller Assembly Plus Raceways |
| Other Features | Single Row With Flat Seat |
| Long Description | 10MM Bore 1; 11MM Bore 2; 24MM Outside Diameter; 9MM Height; Ball Bearing; Single Direction; Not Banded; Steel Cage; Non-Precision |
| Inch - Metric | Metric |
| Category | Thrust Ball Bearings |
| UNSPSC | 31171552 |
| Harmonized Tariff Code | 8482.10.50.08 |
| Noun | Bearing |
| Keyword String | Ball Thrust |
| Manufacturer URL | http://www.nskamericas.com |
| Manufacturer Item Number | 51100 |
| Weight / LBS | 0.04189 |
| Bore 2 | 0.433 Inch 11 Millimeter |
| Height | 0.354 Inch 9 Millimeter |
| Outside Diameter | 0.945 Inch 24 Millimeter |
| Overall Height with Aligning Washer | 0 Inch 0 Millimeter |
| Bore 1 | 0.394 Inch 10 Millimeter |
| bore diameter: | 10 mm |
| static load capacity: | 1420 kg |
| outside diameter: | 24 mm |
| dynamic load capacity: | 1030 kg |
| overall width: | 9 mm |
| | |



MianKang Bearing Co., Ltd.

| | |
|------------------------------|---------------------------|
| operating temperature range: | Maximum of +120 ° C |
| thrust bearing type: | Single-Direction |
| maximum rpm: | 10000 RPM |
| outside diameter design: | Straight |
| cage material: | Steel |
| separable or banded: | Separable |
| fillet radius: | 0.3 mm |
| race type: | Flat |
| series: | 511 |
| precision rating: | ABEC 1 (ISO Class Normal) |
| SRI | 2.6 |
| hidYobi | 51100 |
| LangID | 1 |
| D_ | 24 |
| SREX | 0.03 |
| C | 10.1 |
| B_ | 9 |
| hidTable | ecat_NSSDTB |
| Oil rpm | 10000 |
| SRE | 2.6 |
| mass | 0.019 |
| GRS rpm | 6700 |
| ra | 0.3 |
| SRIX | 0.03 |
| D_a | 16 |
| SRIN | 0 |
| C0 | 14 |
| SREN | 0 |
| D_1 | 11 |
| Prod_Type3 | TB_SD_WFS |
| da | 18 |



MianKang Bearing Co., Ltd.

| | |
|------|-------|
| DA_ | 4.762 |
| Z_ | 10 |
| yobi | 51100 |
| SDM_ | 17 |
| r | 0.3 |
| T_ | 9 |
| KBRG | 5111 |