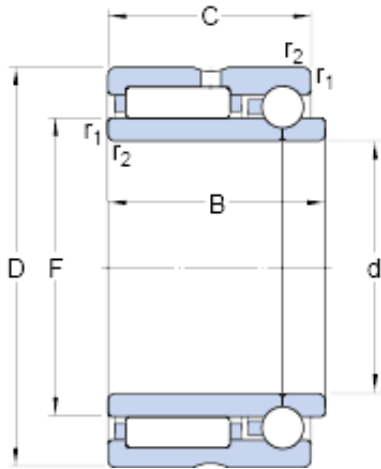




MianKang Bearing Co., Ltd.



skf nkib 5902 bearing

Bearing No. nkib 5902

Size	28x15x20 mm
Bore Diameter	28 mm
Outer Diameter	15 mm
Width	20 mm
d	15 mm
D	28 mm
B	20 mm
C	18 mm
F	20 mm
$r_{1,2}$ - min.	0.3 mm
d_a - min.	17 mm
D_a - max.	26 mm
r_a - max.	0.3 mm
Basic dynamic load rating, radial direction - C	11.2 kN
Basic static load rating, radial direction - C_0	15.3 kN
Basic dynamic load rating, axial direction - C	2.3 kN
Basic static load rating, axial direction - C_0	2.4 kN
Fatigue load limit, radial direction - P_u	1.8 kN
Fatigue load limit, axial direction - P_u	0.099 kN
Reference speed	19000 r/min
Limiting speed	22000 r/min

nkib 5902 Bearing 2D drawings and 3D CAD models



MianKang Bearing Co., Ltd.

Category	Roller Bearings
Inventory	0.0
Manufacturer Name	SKF
Minimum Buy Quantity	N/A
Weight / Kilogram	0.058
EAN	7316577015532
Product Group	B04144
bore diameter:	15 mm
closure type:	Open
outside diameter:	28 mm
fillet radius:	0.3 mm
overall width:	20 mm
lubrication type:	Grease
bearing type:	Needle Roller/Angular Contact Ball
cage material:	Steel
operating temperature range:	Max 250 ° F
series:	NKIB
radial dynamic load capacity:	11.2 kN
manufacturer product page:	Click here
radial static load capacity:	15.3 kN
manufacturer upc number:	7316577015532
bearing material:	Steel
weight:	0.11 lb
maximum rpm:	22000 rpm
r _{1,2} min.	0.3 mm
d _a min.	17 mm
D _a max.	26 mm
r _a max.	0.3 mm
Basic dynamic load rating, radial direction C	11.2 kN



MianKang Bearing Co., Ltd.

Basic static load rating, radial direction C_0	15.3 kN
Basic dynamic load rating, axial direction C	2.27 kN
Basic static load rating, axial direction C_0	2.37 kN
Fatigue load limit, radial direction P_u	1.83 kN
Fatigue load limit, axial direction P_u	0.099 kN
Mass bearing	0.052 kg