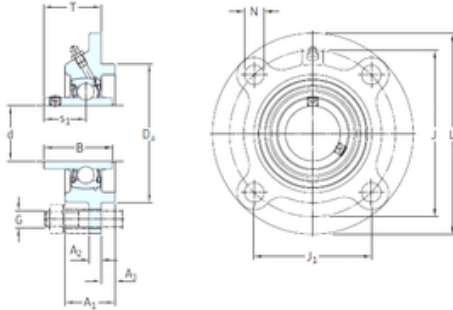




# MianKang Bearing Co., Ltd.

## skf fyc 35 tf bearing



Bearing No. fyc 35 tf

fyc 35 tf Bearing 2D drawings and 3D CAD models

|                               |                       |
|-------------------------------|-----------------------|
| Bore Diameter                 | 35 mm                 |
| d                             | 35 mm                 |
| Da                            | 90 mm                 |
| s1                            | 25,4 mm               |
| A1                            | 34 mm                 |
| B                             | 42,9 mm               |
| G                             | 12 mm                 |
| J                             | 110 mm                |
| L                             | 135 mm                |
| N                             | 14 mm                 |
| T                             | 36,4 mm               |
| A2                            | 9 mm                  |
| A3                            | 8 mm                  |
| J1                            | 77,8 mm               |
| Weight                        | 1,55 Kg               |
| Basic dynamic load rating (C) | 25,5 kN               |
| Basic static load rating (C0) | 15,3 kN               |
| Fatigue load limit (Pu)       | 0,655                 |
| Category                      | Flange Block Bearings |
| Inventory                     | 0.0                   |
| Manufacturer Name             | SKF                   |
| Minimum Buy Quantity          | N/A                   |
| Weight / Kilogram             | 1.55                  |
| EAN                           | 7316570199918         |
| Product Group                 | M06110                |
| Number of Mounting Holes      | 4                     |



## MianKang Bearing Co., Ltd.

|                                    |  |
|------------------------------------|--|
| Mounting Method                    | Set Screw  |
| Housing Style                      | 4 Bolt Round Flange Cartridge  |
| Rolling Element                    | Ball Bearing   |
| Housing Material                   | Cast Iron  |
| Expansion / Non-expansion          | Non-expansion  |
| Mounting Bolts                     | 12 Millimeter  |
| Relubricatable                     | Yes  |
| Insert Part Number                 | YAR 207-2F   |
| Seals                              | M Seal   |
| Housing Configuration              | 1 Piece Solid  |
| Pilot Configuration                | With Pilot   |
| Inch - Metric                      | Metric   |
| Long Description                   | 4 Bolt Round Flange Cartridge; 35MM Bore; 110MM Bolt Circle; 77.8MM Bolt Spacing; 1 Piece Solid; Set Screw Mount; Cast Iron; Ball Bearing; 42.9MM Length Thru Bore; Relubricatable; M Seal Seals |
| Other Features                     | Single Row   Wide Inner Race   Open End   Has Flinger   Y Bearing  |
| Category                           | Flange Block   |
| UNSPSC                             | 31171501   |
| Harmonized Tariff Code             | 8483.20.40.40  |
| Noun                               | Bearing  |
| Keyword String                     | Flanged  |
| Manufacturer URL                   | <a href="http://www.skf.com">http://www.skf.com</a>  |
| Manufacturer Item Number           | FYC 35 TF  |
| Weight / LBS                       | 3.42   |
| Bolt Spacing                       | 3.063 Inch   77.8 Millimeter   |
| Nominal Bolt Circle Diameter Round | 4.3 Inch   110 Millimeter  |



## MianKang Bearing Co., Ltd.

|                               |                                  |
|-------------------------------|----------------------------------|
| Length Thru Bore              | 1.689 Inch   42.9 Millimeter     |
| Cartridge Pilot Depth         | 0.315 Inch   8 Millimeter        |
| Cartridge Pilot Diameter      | 3.543 Inch   90 Millimeter       |
| Bore                          | 1.378 Inch   35 Millimeter       |
| bore diameter:                | 35 mm                            |
| radial static load capacity:  | 15.3 kN                          |
| bolt circle diameter:         | 4.3307 in                        |
| length through bore:          | 42.9 mm                          |
| overall length/diameter:      | 135 mm                           |
| finish/coating:               | Uncoated                         |
| bore type:                    | Round                            |
| maximum rpm:                  | 5300 RPM                         |
| mounting type:                | Four-Bolt Piloted                |
| lubrication type:             | Lubrication Fitting              |
| housing material:             | Cast Iron                        |
| series:                       | FYC                              |
| locking device:               | Set Screw                        |
| replacement bearing:          | YAR 207-2F                       |
| expansion type:               | Non-Expansion Bearing<br>(Fixed) |
| manufacturer upc number:      | 7316570199918                    |
| radial dynamic load capacity: | 25.5 kN                          |
| Housing material              | Cast iron                        |
| A                             | 33.5 mm                          |
| A <sub>1</sub>                | 9 mm                             |
| A <sub>3</sub>                | 8 mm                             |
| B <sub>4</sub>                | 6 mm                             |
| D <sub>a</sub>                | 90 mm                            |
| D <sub>b</sub>                | 90.1 mm                          |
| J <sub>1</sub>                | 77.8 mm                          |
| s <sub>1</sub>                | 25.4 mm                          |
| R <sub>G</sub>                | 1/4-28 UNF                       |



## MianKang Bearing Co., Ltd.

|   |               |
|---|---------------|
| $R_1$   | 17 mm         |
| $D_N$   | 6.5 mm        |
| $SW_N$  | 7 mm          |
| $G_N$   | 1/4-28 SAE-LT |
| Basic dynamic load rating C                       | 25.5 kN       |
| Basic static load rating $C_0$                    | 15.3 kN       |
| Fatigue load limit $P_u$                          | 0.655 kN      |
| Limiting speed with shaft tolerance h6            | 5300 r/min    |
| Mass unit   | 1.55 kg       |
| Thread grub screw $G_2$                           | M6x0.75       |
| Hexagonal key size for grub screw N               | 3 mm          |
| Recommended tightening torque for grub screw      | 4 N · m       |
| Recommended diameter for attachment bolts, mm G   | 12 mm         |
| Recommended diameter for attachment bolts, inch G | 0.5 in        |
| Bearing   | YAR 207-2F    |
| Housing   | FYC 507       |