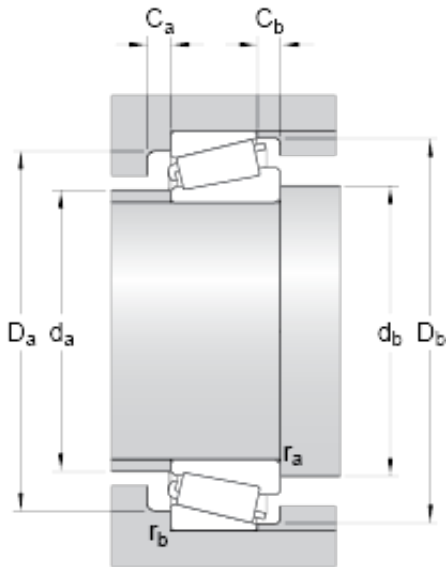




MianKang Bearing Co., Ltd.



32308 Bearing 2D drawings and 3D CAD models

skf 32308 bearing

Bearing No. 32308

Dimension series	2FD
d	40 mm
D	90 mm
T	35.25 mm
d ₁	62.95 mm
B	33 mm
C	27 mm
r _{1,2} min.	2 mm
r _{3,4} min.	1.5 mm
a	22.949 mm
d _a max.	51 mm
d _b min.	49.5 mm
D _a min.	73 mm
D _a max.	82.5 mm
D _b min.	82 mm
C _a min.	4 mm
C _b min.	8 mm
r _a max.	2 mm
r _b max.	1.5 mm
Basic dynamic load rating C	143 kN
Basic static load rating C ₀	140 kN
Fatigue load limit P _u	16 kN
Reference speed	6000 r/min
Limiting speed	8000 r/min
Calculation factor e	0.35
Calculation factor Y	1.7



MianKang Bearing Co., Ltd.

Calculation factor Y_0	0.9
Mass bearing	1.03 kg