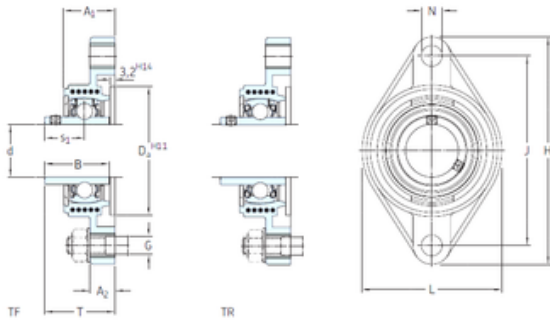




MianKang Bearing Co., Ltd.

skf fytbk 25 tf bearing

Bearing No. fytbk 25 tf



fytbk 25 tf Bearing 2D drawings and 3D CAD models

Bore Diameter	25 mm
d	25 mm
Da	63,5 mm
s1	19,8 mm
A1	30 mm
B	34,1 mm
G	10 mm
H	124 mm
J	99 mm
L	70 mm
N	12 mm
T	38,8 mm
A2	15 mm
Weight	0,29 Kg
Basic dynamic load rating (C)	14 kN
Basic static load rating (C0)	7,8 kN
Fatigue load limit (Pu)	0,335
Category	Bearings
Inventory	0.0
Manufacturer Name	SKF
Minimum Buy Quantity	N/A
UNSPSC	31171501
Weight / Kilogram	0.29
EAN	7316570453256
Product Group	M06110
Housing material	Composite



MianKang Bearing Co., Ltd.

D_a	63.5 mm
D_b	65 mm
A	30 mm
A_1	15 mm
A_3	3.2 mm
A_5	18 mm
B_4	5 mm
s_1	19.8 mm
Basic dynamic load rating C	14 kN
Basic static load rating C_0	7.8 kN
Fatigue load limit P_u	0.335 kN
Limiting speed	7000 r/min
Mass bearing unit	0.27 kg
Thread grub screw G_2	M6x0.75
Hexagonal key size for grub screw N	3 mm
Recommended tightening torque for grub screw	4 N · m
Recommended diameter for attachment bolts, mm G	10 mm
Recommended diameter for attachment bolts, inch G	0.375 in
Housing	FYTBK 505
Bearing	YAR 205-2F
End cover	ECY 205