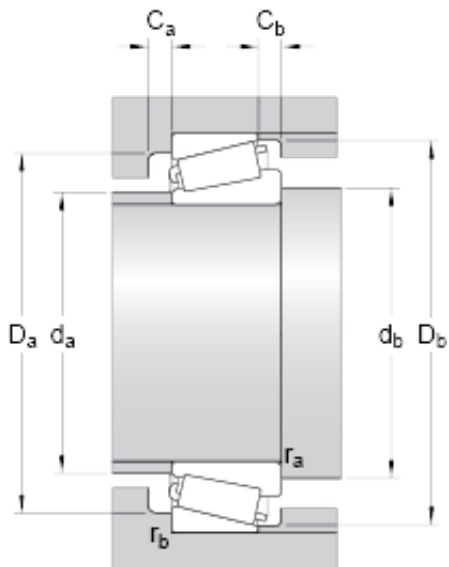




MianKang Bearing Co., Ltd.



30303 Bearing 2D drawings and 3D CAD models

skf 30303 bearing

Bearing No. 30303

Dimension series	2FB
d	17 mm
D	47 mm
T	15.25 mm
d ₁	30.55 mm
B	14 mm
C	12 mm
r _{1,2} min.	1 mm
r _{3,4} min.	1 mm
a	10.173 mm
d _a max.	25 mm
d _b min.	23.5 mm
D _a min.	40 mm
D _a max.	41.5 mm
D _b min.	42 mm
C _a min.	2 mm
C _b min.	3 mm
r _a max.	1 mm
r _b max.	1 mm
Basic dynamic load rating C	34.2 kN
Basic static load rating C ₀	25 kN
Fatigue load limit P _u	2.7 kN
Reference speed	13000 r/min
Limiting speed	16000 r/min
Calculation factor e	0.28
Calculation factor Y	2.1



MianKang Bearing Co., Ltd.

Calculation factor Y_0	1.1
Mass bearing	0.13 kg