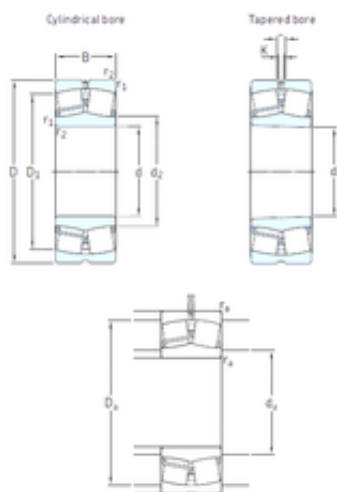




# MianKang Bearing Co., Ltd.



## skf 22208e bearing

Bearing No. 22208e

Size	40x80x23 mm
Bore Diameter	40 mm
Outer Diameter	80 mm
Width	23 mm
d	40 mm
D	80 mm
B	23 mm
C	23 mm
b	6 mm
d2	49,6 mm
r1 min.	1,1 mm
r2 min.	1,1 mm
D1	69,4 mm
K	3 mm
da min.	47 mm
Da max.	73 mm
ra max.	1 mm
Weight	0,53 Kg
Basic dynamic load rating (C)	96,5 kN
Basic static load rating (C0)	90 kN
Fatigue load limit (Pu)	9,8
Reference speed	8000 r/min
Limiting speed	11000 r/min
Calculation factor (e)	0,28
Calculation factor (Y0)	2,5
Calculation factor (Y1)	2,4

22208e Bearing 2D drawings and 3D CAD models



# **MianKang Bearing Co., Ltd.**