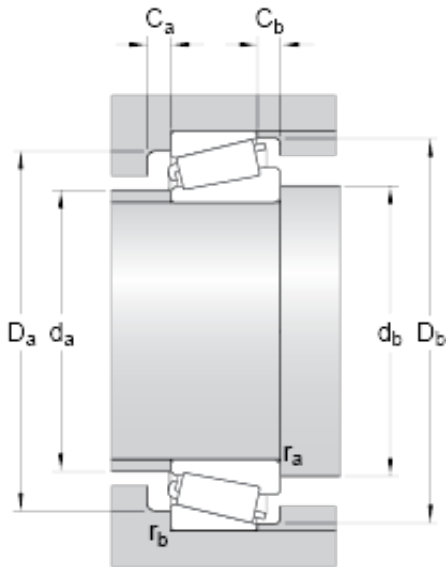




# MianKang Bearing Co., Ltd.



32305 Bearing 2D drawings and 3D CAD models

## skf 32305 bearing

Bearing No. 32305

Dimension series	2FD
d	25 mm
D	62 mm
T	25.25 mm
d <sub>1</sub>	41.7 mm
B	24 mm
C	20 mm
r <sub>1,2</sub> min.	1.5 mm
r <sub>3,4</sub> min.	1.5 mm
a	15.236 mm
d <sub>a</sub> max.	33 mm
d <sub>b</sub> min.	33 mm
D <sub>a</sub> min.	52 mm
D <sub>a</sub> max.	55 mm
D <sub>b</sub> min.	57 mm
C <sub>a</sub> min.	3 mm
C <sub>b</sub> min.	5 mm
r <sub>a</sub> max.	1.5 mm
r <sub>b</sub> max.	1.5 mm
Basic dynamic load rating C	74.1 kN
Basic static load rating C <sub>0</sub>	63 kN
Fatigue load limit P <sub>u</sub>	7.1 kN
Reference speed	9000 r/min
Limiting speed	12000 r/min
Calculation factor e	0.3
Calculation factor Y	2



## MianKang Bearing Co., Ltd.

Calculation factor $Y_0$	1.1
Mass bearing	0.36 kg